

Place 4" P.V.C.  
45°-EII

RECREATION  
AREA

See Detail  
Sheet 7

2+23N. 12+75E.  
Place 16" x 8" Tee, 16" Plug & 16" Valve & Box North,  
8" Valve & Box West, or  
Place 8" x 8" Tee, 8" Plug & 8" Valve & Box North,  
8" Valve & Box West.

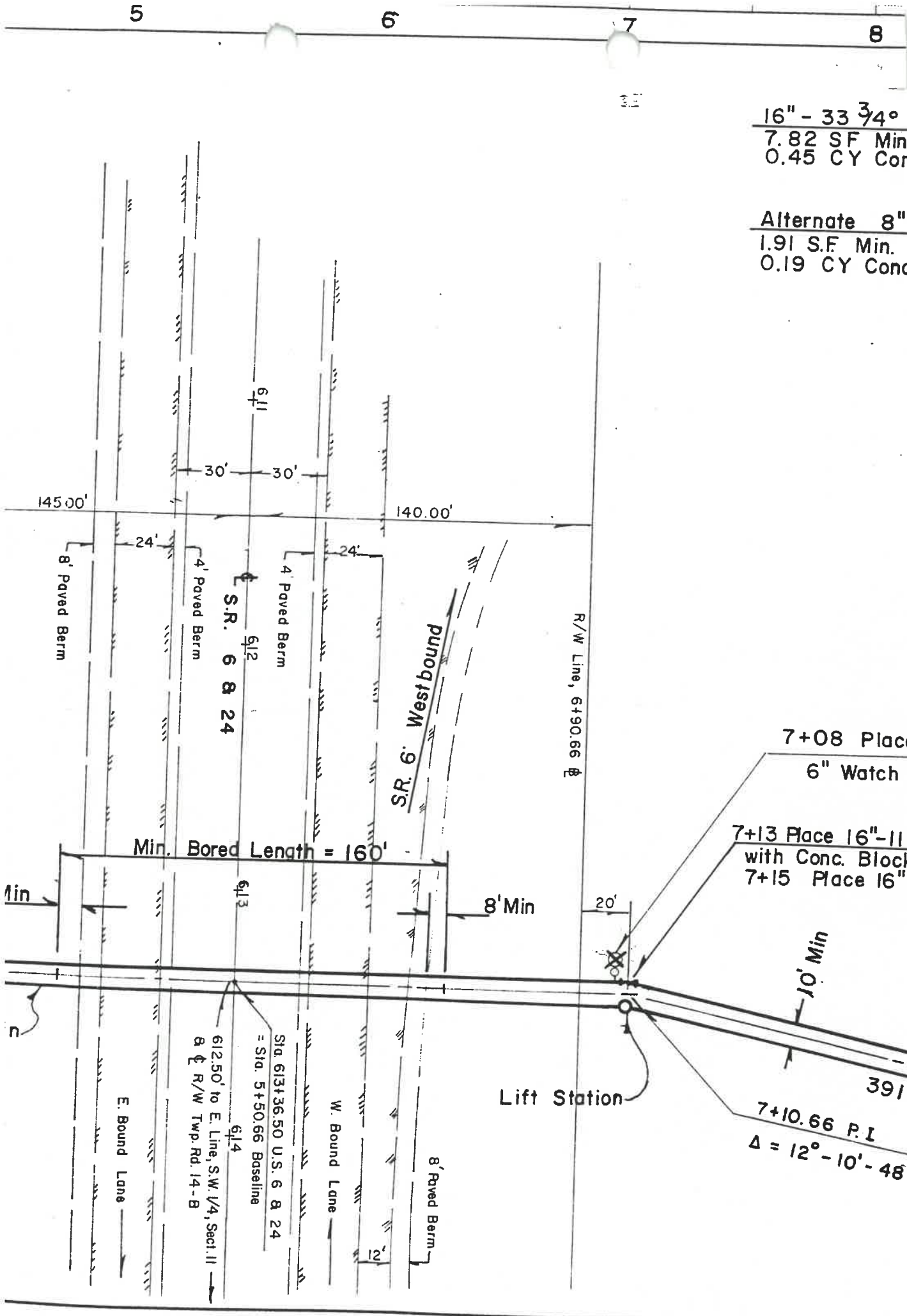
**TAP WATER SERVICE OFF EXISTING 8" WATER LINE  
& INSTALL METER & DIGITAL READOUT AT SALES OFFICE  
OWNER MAY TAP 16" WATER LINE IF SO DESIRED.  
ALSO A CORPORATION STOP & CURB STOP (AND  
BOX MUST BE INSTALLED AT THE TAP  
LOCATION.**

0+05 North, 12+75 East  
Place 16"-22 1/2° & 11 1/4° EII  
or 8"-22 1/2° & 11 1/4° EII

*Wood  
Downshire*

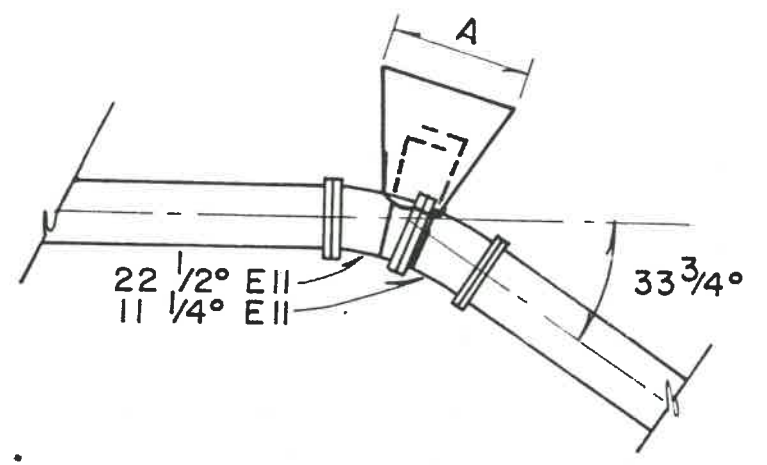


Scale: 1" = 5'



16" - 33 3/4° Ell:  
7.82 SF Min. Bearing Area A  
0.45 CY Conc. Class E

Alternate 8" - 33 3/4° Ell:  
1.91 S.F. Min. Bearing Area A  
0.19 CY Conc. Class E



**11 1/4° & 22 1/2° ELL BLOCKING DETAIL**  
Scale : 1/4" = 1'-0"

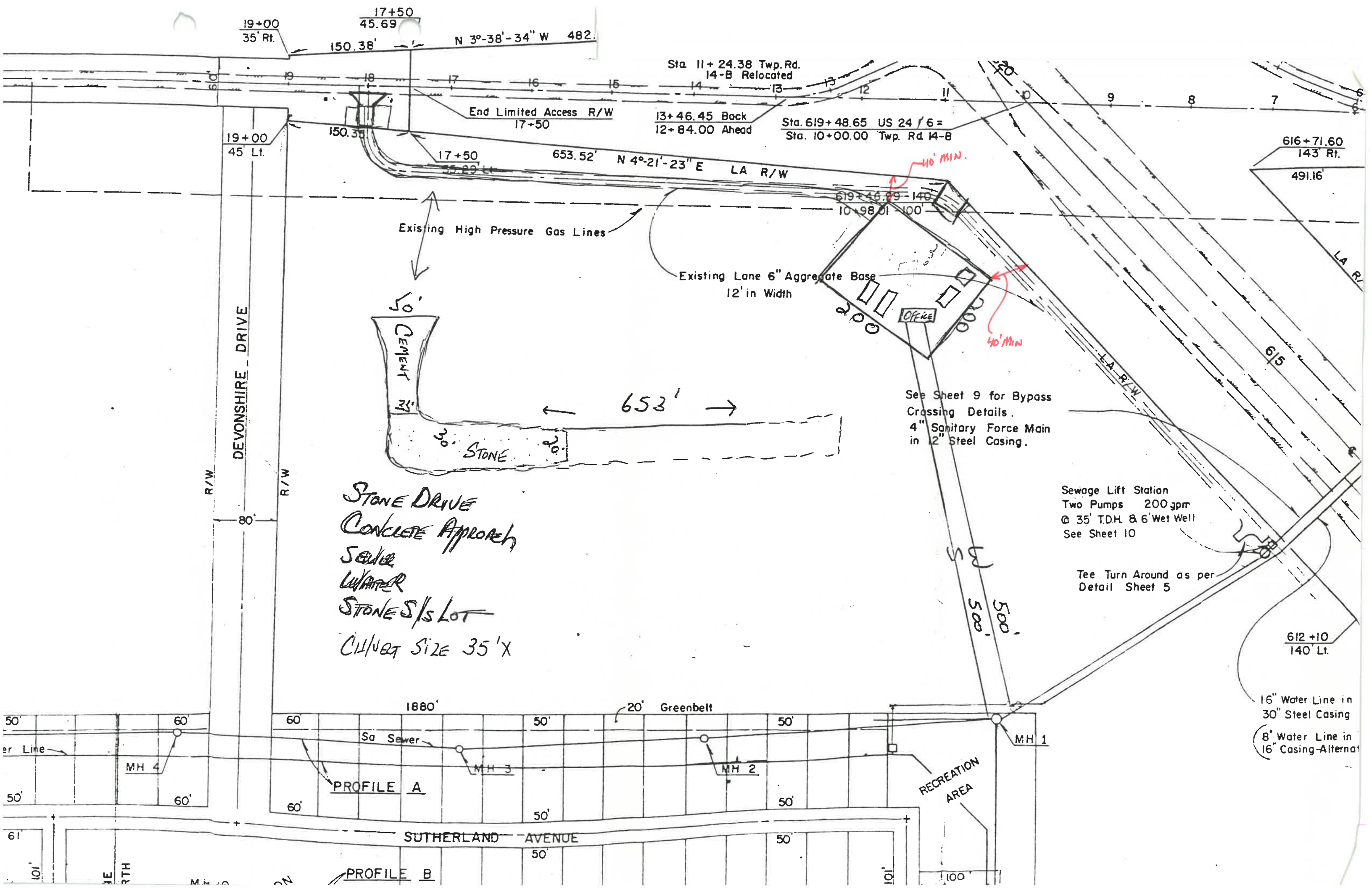
Note: Anchors Shall be no Less Than  
5 Bars With 18" Imbeded in Conc.  
With 6" Hook.

7+08 Place 16" x 6" Tee with Blocking,  
6" Watch Valve & Box with 6" Fire Hydrant

7+13 Place 16"-11 1/4° Ell  
with Conc. Blocking  
7+15 Place 16" Valve & Box

0+05 North, 12+75 East  
Place 16"-22 1/2 & 11 1/4° Ell  
or 8"-22 1/2 & 11 1/4° Ell

Sta. 11+01.4 =  
1+00 N., 12+30 E.  
Manhole #1



19+00 35' Rt. 17+50 45.69 N 3°-38'-34" W 482.1

Sta. 11+24.38 Twp. Rd. 14-B Relocated

End Limited Access R/W 17+50

13+46.45 Back 12+84.00 Ahead

Sta. 619+48.65 US 24 / 6 = Sta. 10+00.00 Twp. Rd 14-B

616+71.60 143' Rt. 491.16'

19+00 45' Lt.

150.35'

17+50

653.52' N 4°-21'-23" E LA R/W

619+46.29-140 10+98.01-100

Existing High Pressure Gas Lines

Existing Lane 6" Aggregate Base 12' in Width

DEVONSHIRE DRIVE

CEMENT

653'

STONE

See Sheet 9 for Bypass Crossing Details. 4" Sanitary Force Main in 12" Steel Casing.

Sewage Lift Station Two Pumps 200 gpm @ 35' TDH. & 6' Wet Well See Sheet 10

Tee Turn Around as per Detail Sheet 5

STONE DRIVE  
CONCRETE APPROACH  
SEWER  
WATER  
STONES/S LOT  
CUT/SET SIZE 35' X

612+10 140' Lt.

16" Water Line in 30" Steel Casing  
8" Water Line in 16" Casing-Alternate

1880'

20' Greenbelt

Sa Sewer

MH 1

MH 4

MH 3

MH 2

PROFILE A

RECREATION AREA

SUTHERLAND AVENUE

PROFILE B

